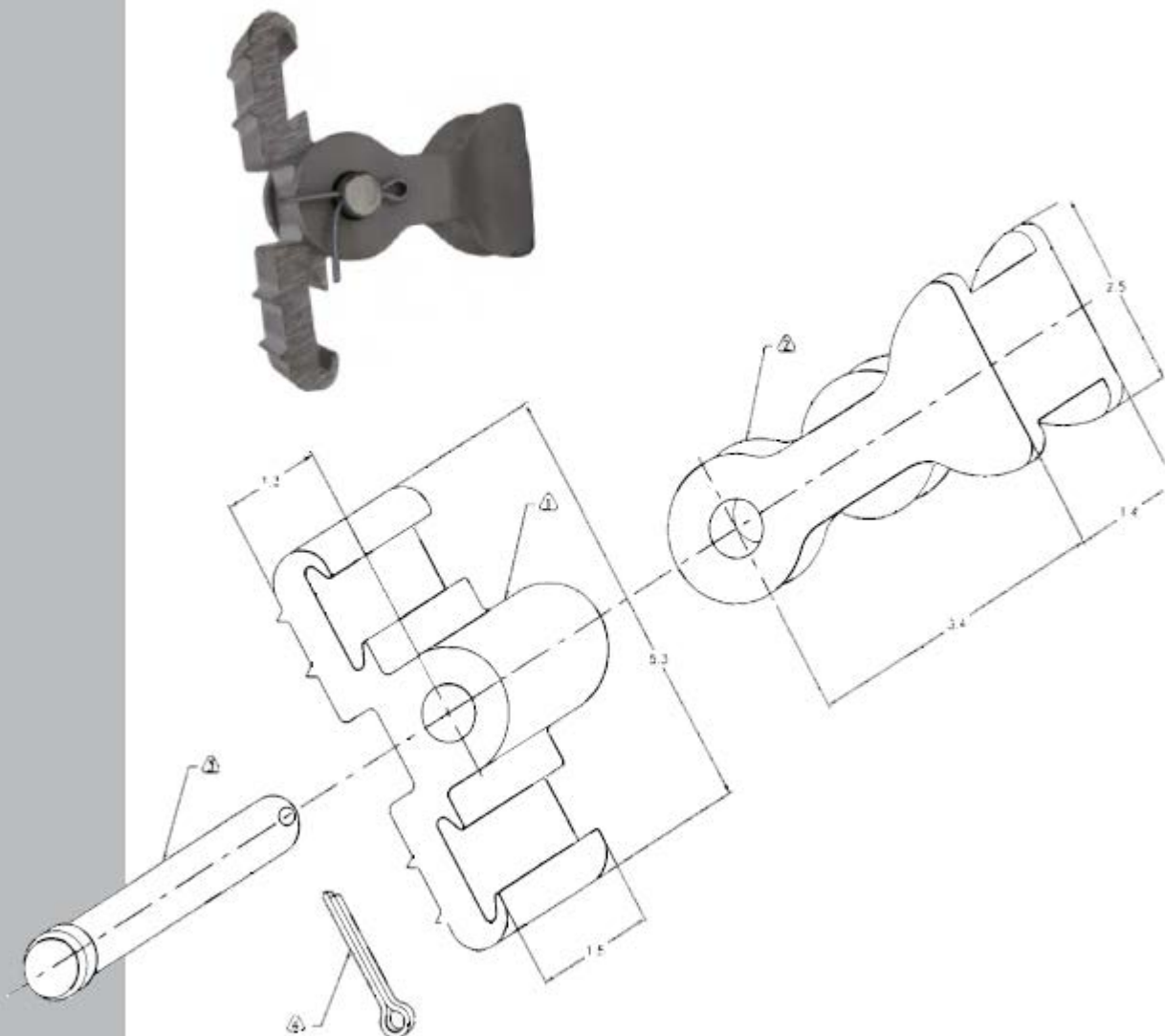


SPECIFICATION SHEET

USABAND
"Over 60 years of American Quality"

REF:
USABAND DEAD END GUY ASSY

Part Number
812514



No.	Part No.	Qty	DESCRIPTION	MATERIAL
1.	812518	1	DEAD END GUY EXTRUSION	AL
2.	812519	1	DEAD END GUY CASTING	AL
3.	812516	1	CLEVIS PIN - .63 X 3.13 GR5 ZINC PLATED	STL
4.	812517	1	CLEVIS PIN - .19 X 1.5 GR5 ZINC PLATED	STL