

SPECIFICATION SHEET

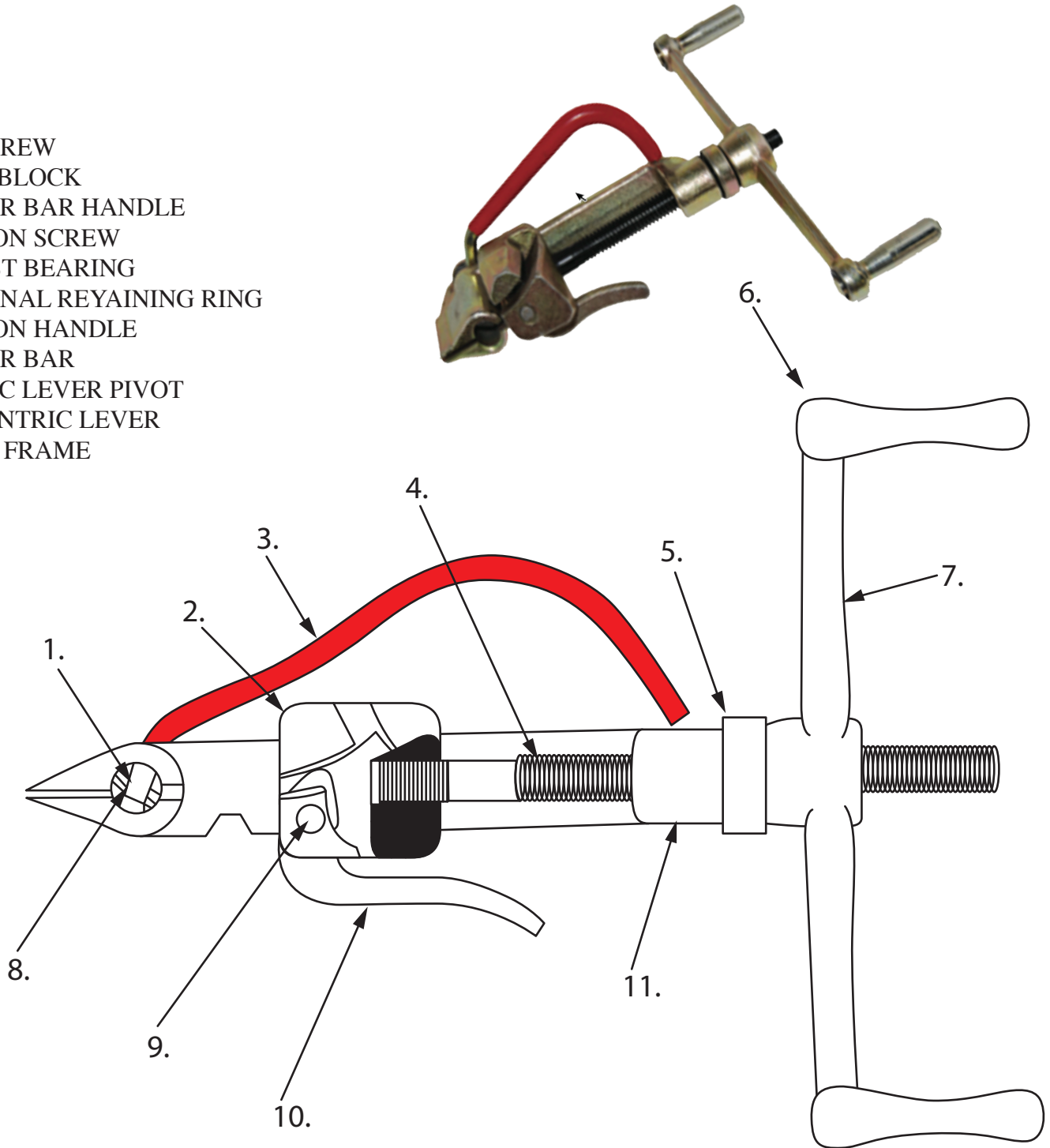
USABAND
"Over 60 years of American Quality"

REF:

Banding Tool- Used for Banding up tp 3/4" band.

PART NO.
812001

1. SET SCREW
2. SLIDE BLOCK
3. CUTTER BAR HANDLE
4. TENSION SCREW
5. THRUST BEARING
6. EXTERNAL REYAINING RING
7. TENSION HANDLE
8. CUTTER BAR
9. PIN,ECC LEVER PIVOT
10. ECCENTRIC LEVER
11. TOOL FRAME



352-465-1074
877-760-3130 Fax
mshinn@usaband.com
www.usaband.com

USABAND
"Over 60 years of American Quality"